



**METS ENERGY** S A L

Model	MP2-130-S		NA			
Frequency/Speed - Voltage	50HZ/1500 RPM-	230/400V	60HZ/1800 RPM- 230/400V		60HZ/1800 RPM- 277/480V	
Prime Power	130 KVA	104 KW	NA	NA	NA	NA
Standby Power	143 KVA	114.4 KW	NA	NA	NA	NA



Image for illustration purposes only.

## Features

<b>Engine</b>	Perkins ,1106A-E70TG1 , Made in UK, in accordance to ISO3046 ,ISO8528,DIN6271
<b>Alternator</b>	Stamford UCI274E , Made in UK, complying to the norms: BS EN60034/ BS 5000/ VDE 0530/ NEMA MG 1-32/ IEC 34/ CSA C22.2-100/ AS 1359
<b>Control Panel</b>	Deep sea, M-DCM-317B ,Made in UK, complying to the norms: comply to the norms BS EN 61000, BS EN 60950, BS EN 60068
<b>Base Frame</b>	Black steel with Anti-vibration pads, Built in fuel tank
<b>Sound Proof Canopy</b>	Modular SPC, Powder Coated, Extremely Durable, Designed to Reduce Sound Level with Maximum Service Accessibility and Minimum Foot Prints
<b>Worldwide Support</b>	Mets Energy Products are distributed through its PowerMets International Network For more information kindly check our website <a href="http://www.metsenergy.com">www.metsenergy.com</a>

## Rating Definitions and Conditions

<b>Prime Rating</b>	The power available for an unlimited hour usage with an average load factor of 80% of the published prime power over each 24 hours period. A 10 % overload is available for 1Hr every 12 hours.
<b>Standby Rating</b>	The power limited to 500 hours annual usage with an average load factor of 80% of the published standby power rating over each 24-hour period. Up to 300 hours of annual usage may be run continuously. No overload is permitted on standby power.
	<b>KVA Rating @ 0.8 P.F</b>

Due to continuous product development, we reserve the right to change specifications at any time without prior notice.

Rev0\_MP2-130-S\_150213



**Engine Perkins, 1106A-E70TG1, 4 Stroke Cycle, Diesel**

<b>Structure</b>	<b>Number of Cylinders</b>	6	
	<b>Engine Build</b>	In line	
	<b>Bore</b>	105 mm	
	<b>Stroke</b>	135 mm	
	<b>Displacement</b>	7.01 L	
	<b>Compression Ratio</b>	18.2:1	
	<b>Aspiration</b>	Turbocharged	
	<b>Cooling</b>	Water	
<b>Fuel</b>	<b>Fuel Tank</b>	<b>1500 rpm</b> Built in fuel tank	<b>1800 rpm</b>
		TBA for	
		TBAhours	TBA
		operation @ full load	
	<b>Fuel System</b>	Direct injection	
	<b>Fuel Recommended</b>	N°2 Diesel	
	<b>Fuel System Make (ECM)</b>	-	
		<b>1500 rpm</b>	<b>1800 rpm</b>
	<b>Delivery Flow Rate (l/hr)</b>	TBA	
	<b>Fuel Consumption</b>		
	<b>100% Load (g/kWh-L/hr)</b>	203 (30.28)	NA
	<b>75% Load (g/kWh-L/hr)</b>	204.5 (22.7)	NA
	<b>50% Load (g/kWh-L/hr)</b>	213.9 (15.9)	NA
<b>Cooling system</b>	<b>Engine Coolant Capacity</b>		21L
	<b>Air Flow-Radiator</b>	4400 l/s	NA
	radiator with 50 degree ambient capability		
	Cooling Package & Air Cleaner Kit Thermostatically-controlled system		
<b>Air Inlet</b>	<b>Air Intake Engine</b> (Clean Filter/Dirty)		3/ 5 KPa
<b>Exhaust System</b>	<b>Exhaust Gas Temperature (Prime)</b>	576 °C	NA
	<b>Exhaust Gas Flow (Prime)</b>	315 l/s	NA
	<b>Maximum Exhaust System Back Pressure</b>	6 kPa	NA
	<b>Muffler</b>	residential (20→25 dB) industrial(15→25 dB)	
	Stainless Steel exhaust flex-fittings		
<b>DC System-Starting/Charging</b>	<b>Cranking Battery Voltage</b>		12 V
	<b>Battery Charging Alternator</b>		65 A
	Dc Voltage Monitoring via control panel		
<b>Heat Rejection(prime)</b>	<b>Radiated Heat to Ambient (Prime)</b>	5 kW	NA
	<b>Heat Rejection to Coolant (Prime)</b>	74.9 kW	NA
	<b>Heat Rejection to Exhaust (Prime)</b>	89.8 kW	NA
	<b>Heat Rejection to intercooler (prime)</b>	12.5 kW	NA
<b>Lube System</b>	<b>Lubricating System Oil Capacity</b>		16.5 L
<b>Governor</b>	Mechanical		




**METS ENERGY** S A L

**Alternator Stamford ,UCI274E**

<b>Structure</b>	<b>Insulation System</b>	Class H	
	<b>Winding Pitch</b>	2/3 to minimize harmonics effects	
	<b>Number of Poles</b>	4	
	<b>Number of Bearings</b>	Single bearing	
	<b>Winding Leads</b>	12	
	<b>Power Factor</b>	0.8	
	<b>Over Speed Capability (% of</b>	2250 Rpm (150%)	
	<b>Wave Form Distortion</b>	No load < 1.5% Non-Distorting balanced linear load < 5.0%	
	<b>Telephone Interference</b>	THF< 2%	
	<b>IP Rating (Protection)</b>	IP23	
<b>AVR</b>	Self excited		
	Synchronous, 3 phase, Brushless & Self ventilated		
		<b>1500 rpm</b>	<b>1800 rpm</b>
<b>Power Switching</b>	3-P Circuit Breaker, MCCB	200A	NA
<b>Temperature</b>	<b>Temperature Rise</b>	125/40 °C	
<b>Control &amp; Voltage Regulator</b>	<b>Control System (Standard)</b>	Self excited	
	<b>Voltage Regulator (AVR)</b>	SX460 or AS440	
	<b>% Of Voltage Regulation</b>	± 1.0 % ( for SX460 & AS440)	
<b>Motor Starting Capacity@30%</b>	if voltage 230/400V	TBA	
<b>Voltage Dip</b>	if voltage 277/480V	TBA	

**Standard Controller, M-DCM-317B**

<b>Control</b>	Auto/Start/Stop Control Emergency Stop Pushbutton/ Alarm Acknowledge Engine Cool Down Timer Warm-up Timer Load Switching Timer Engine Cycle Crank	
<b>Indications</b>	Operating Hours 3 Phase Generator Voltage Sensing & Monitoring Current Protection & Monitoring Power Measurement (kW, kVA, kVA <sub>r</sub> , kWh, kVAh, kVA <sub>r</sub> h, pf) Frequency Monitoring (Hz) Oil Pressure/Coolant Temperature/Fuel Level Monitoring Battery Voltage Monitoring (DC) Alarm Acknowledge	
<b>Warning &amp; Shutdown Alarms</b>	Generator Over/Under Voltage & Frequency Crank Disconnect (Failure to Start) Under/Over Speed Over Current Low oil pressure High Water Temperature Low Fuel Level Low Water Level	
<b>Features</b>	IP 65 (if ordered with gasket) Basic Scheduler 8-35 VDC Supply Digital Inputs(4)- Outputs(4 MPU/ 6 CAN) Event Log (5 shutdowns)	

**Optional Accessories**

<b>Alternator</b>	AVR (3 phase Sensing) Reactive Droop Winding Temperature Detectors Anti- Condensation Heaters Excitation with auxiliary exciter (PMG)
<b>Power Switching</b>	4-P Circuit Breaker Special Brands (ABB- MG- Siemens...) Motorized Operation Shunt Trip Under Voltage Trip UVT Residual Current Protection Ground Fault Protection Earthing Kit Surge Arrestor



**Optional Accessories** (continues)

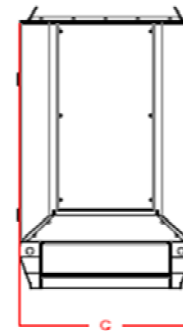
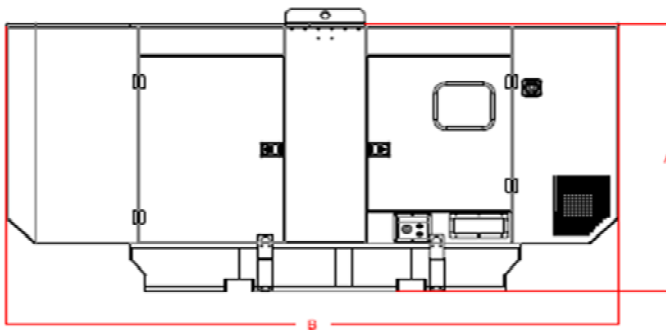
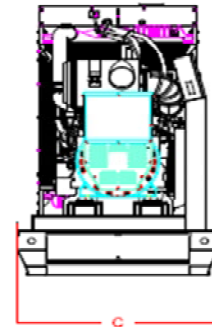
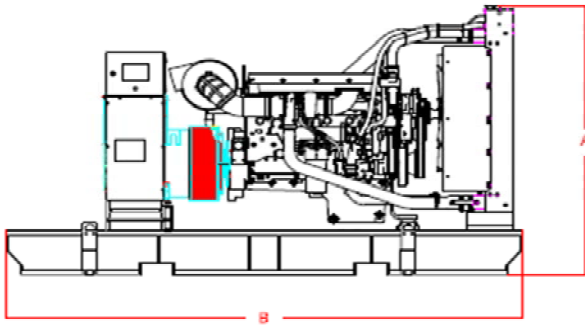
	<ul style="list-style-type: none"> <li>Micro-Diesel Filter for Micro-Particles Filtration</li> <li>Automatic Fuel Refilling System</li> <li>Fuel Water Separator <b>(2000/5)</b></li> <li>Mechanical Fuel Level Kit</li> <li>Oversize Fuel Tank Upon Custom Requirements</li> <li>Fuel Tanks-Pipes Heater</li> </ul>
<b>Engine</b>	<b>Air Inlet</b> Sy-klone Air Cleaner Installed @ Air Intake System
	<b>Exhaust</b> Muffler: Critical (25→30 dB) Hospital (35→40 dB) Elbow, Flanges, Expanders & Y Adaptors
	<b>Cooling / Heating</b> Radiator with 35 °C or 60 °C Ambient Capability Jacket Water Heater
	<b>Lube</b> Manual Sump Drain Pump Semi-Rotator Hand Pump
	<b>DC System - Starting/Changing</b> Mains Battery Charger 24 V DC-5A Battery Charger 10A-20A on Request Automatic Battery Charger on Request Battery Disconnect Switch DC/AC Current Monitoring (Ammeter) Oversize Battery
<b>Control Panel</b>	DSE 7310/7320/7410/7420-More Inputs & Outputs-Advanced Communications Features; DSE 8610/8710/8810- Load Share Module; Digital & Analogues Inputs Module DSE 2130 (for 7000 Series & Above); Analogue Inputs advanced Module DSE 2131-2133(for 7410 &Above); Digital relay Outputs Module DSE 2157 (for 7000 Series &Above); Analogue Outputs Module DSE 2152 (for 7410 & Above); Local & Remote enunciator Module DSE 2548 (for 7000 Series & Above); Display Modules DSE 2510/2520 (with 7310-7320); Remote Monitoring via: Web Interface (All Series), GSM (for 7000 Series & Above), RS485 (for Dry Contacts Alarm Indication for Customer Use Audible Alarm (Option for 6010/20; Standard for 7000 Series & Above); Voltage Adjust Potentiometer; Speed Adjust Potentiometer;



**METS ENERGY** S A L

### Dimensions & Weights

	Length (mm)	Width (mm)	"C" Height (mm)	Weight Dry
Open set (NB)	2520	1100	1590	1408
SPC Type S	3604	1100	1877	1970



Drawings for illustration purposes only.

[WWW.METSENERGY.com](http://WWW.METSENERGY.com)